

International Program Committee

Andrei Agrachev

SISSA, Italy

Frank Allgower

University of Stuttgart, Germany

Antonio Bicchi

University of Pisa, Italy

Vincent Blondel

Université Catholique Louvain-La-Neuve, Belgium

Eduardo Camacho

University of Sevilla, Spain

Paul van den Hof

Technical University of Delft, The Netherlands

Bronislaw Jakubczyk

University of Warsaw, Poland

Karl Henrik Johansson

Royal Institute of Technology, Sweden

Gauthier Sallet

LORIA, France

Organizers:

Salah Laghrouche

Françoise Lamnabhi-Lagarrigue (Chair)

Antonio Loria

Elena Panteley

Département STIC, CNRS, France

Secretariat:

➤ Myriam Baverel (communication)

myriam.baverel@lss.supelec.fr

➤ Safia Belghiti (management-accommodation)

safia.belghiti@lss.supelec.fr

➤ Maryvonne Giron (management-accommodation)

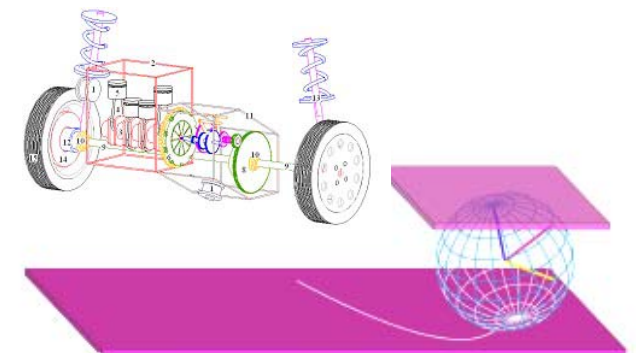
maryvonne.giron@lss.supelec.fr



Marie Curie Fellowships



Joint CTS-HYCON Workshop on Nonlinear and Hybrid Control



Paris, CNRS
3, rue Michel-Ange
75794 Paris cedex 16 – France

10-12 July 2006

Objectives

The main objective of the Joint CTS-HYCON Workshop is to bring together those enrolled in the activities of the CTS Marie Curie Training Site and of the HYCON Network of Excellence, in order to promote the exchange of ideas and experiences and reinforce scientific contacts in the large multidisciplinary area of the control of nonlinear and hybrid systems.

All CTS fellows (present and past) and all the HYCON PhD students are invited to participate by sending a three pages extended abstract by 15 February 2006. Instructions and templates will be available on due time on the web site of the Workshop. A selection of papers will be published and will be presented at the Workshop together with a series of lectures given by invited speakers.

The Workshop is also open to other researchers and PhD students. However, acceptance will depend on availability.

Junior speakers (CTS and HYCON PhD students) will contend for three of the *Best Junior Presentation Awards*. The awards will be given both for scientific content and for presentation technique.

Invited Speakers

Frank Allgower

University of Stuttgart, Germany

Georges Bastin

Université Catholique Louvain-La-Neuve, Belgium

Antonio Bicchi

University of Pisa, Italy

Eduardo Camacho

University of Sevilla, Spain

Bronislaw Jakubczyk

University of Warsaw, Poland

Karl Henrik Johansson

Royal Institute of Technology, Sweden

Antonio Loria & Elena Panteley

Département STIC, CNRS, France

John Lygeros

University of Patras, Greece

Gauthier Sallet

LORIA, France

Arjan van der Schaft

University of Groningen, The Netherlands

Rodolphe Sepulchre

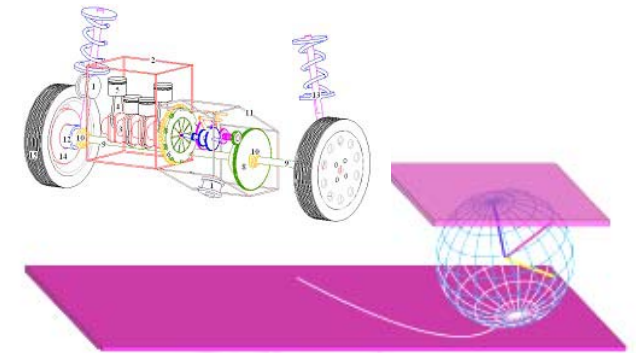
Université de Liège, Belgium

Andrew Teel

University of California, USA

Claire Tomlin

Stanford University, USA



Details for submission, registration and social events will be disseminated as the date of the workshop approaches.

Please refer to the Workshop web site from 1 November 2005 at

www.cts-hycon-workshop.org

for complete instructions, news and updates